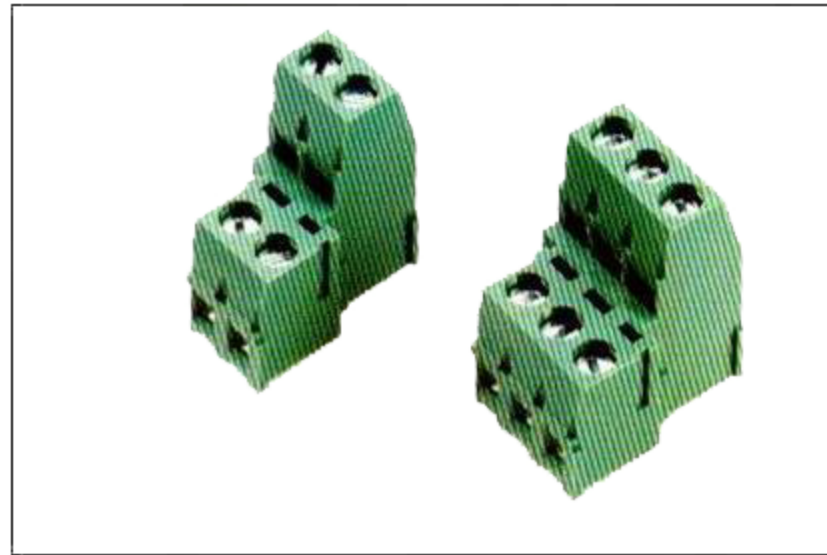
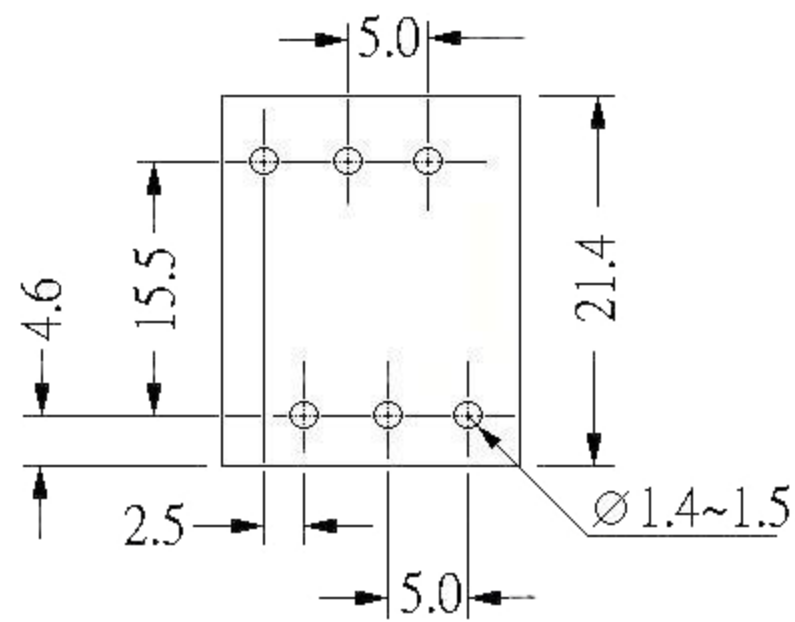


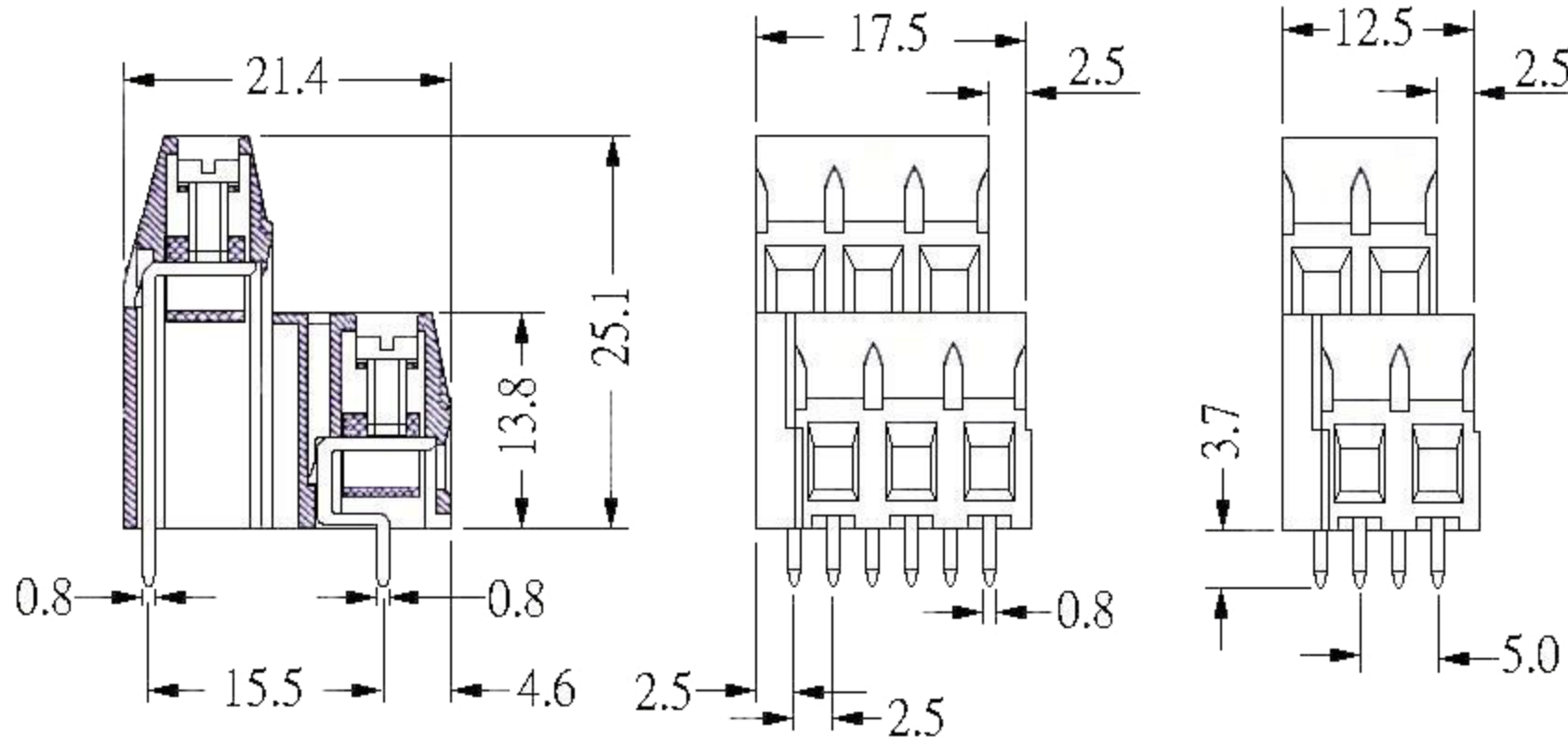
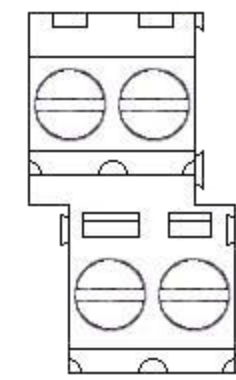
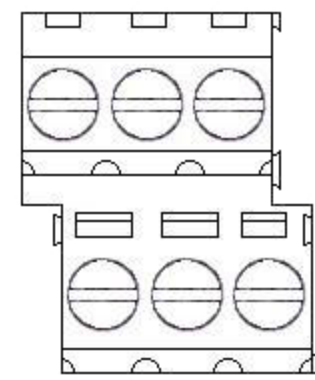
| 7         | 8                          | 9              |                |            |
|-----------|----------------------------|----------------|----------------|------------|
| RAV<br>改版 | CHANGE DESCRIPTION<br>記錄說明 | REVISID<br>修版者 | APPROVED<br>審核 | DATE<br>日期 |
|           |                            |                |                |            |
|           |                            |                |                |            |
|           |                            |                |                |            |



### PCB Layout

### Specifications

|                           |                             |
|---------------------------|-----------------------------|
| Poles                     | 4P & 6P                     |
| Wire Range                | 16 to 22 AWG                |
| Housing                   | Polyamide 6.6, Green.       |
| Solder Pin                | Brass, 0.8t, Solder Plated. |
| Wire Cage                 | Brass, 0.7t, Nickel Plated. |
| Screw                     | M2.6, Steel, Zine Plated.   |
| Insul. Withstands Voltage | AC 2000V/min                |
| Insul. Resistance         | 500MΩ or More at DC 500V    |
| Using Temperature Range   | -40°C ~ +105°C              |
| Screw Torque Value        | 5kg/cm                      |



| UNIT<br>單位      | SCALE<br>比例 | 喜威達企業股份有限公司<br>SWEETA PRODUCTS CORPORATION |   |
|-----------------|-------------|--|---|
| MM              | /           | MATL<br>材料: 黃銅                             | TILE<br>STHC-100<br>PITCH 5.0mm<br>12A 300V |
| TOLERANCE<br>公差 |             | FINISH<br>處理: 鍍錫                           |   |
| X.X± 0.1        |             | DESIGN<br>設計:                              | PART NO<br>料號:                              |
| X.XX± 0.1       |             | APPR<br>核准:                                | REA<br>版次:                                  |
| ANGLE<br>角度     | °           |  | DRAW NO<br>圖號:                              |
| □               | ⊕           |  | A   |