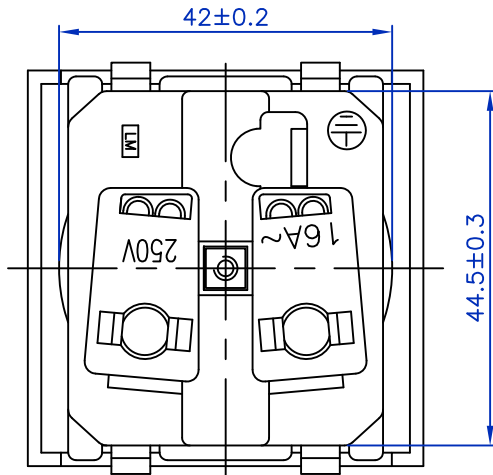
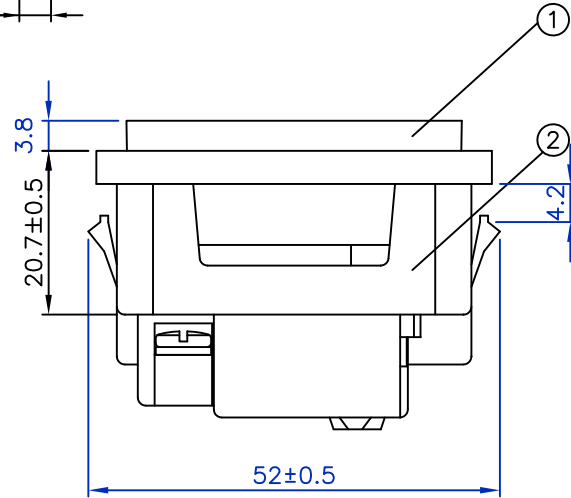
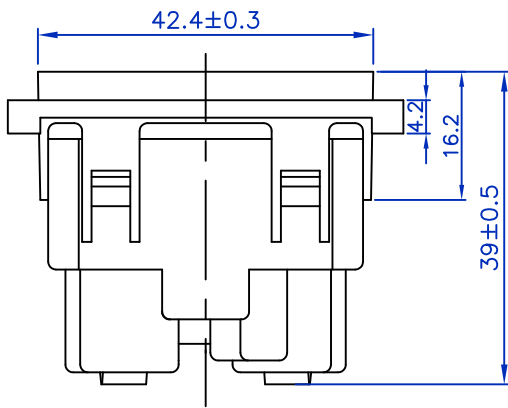
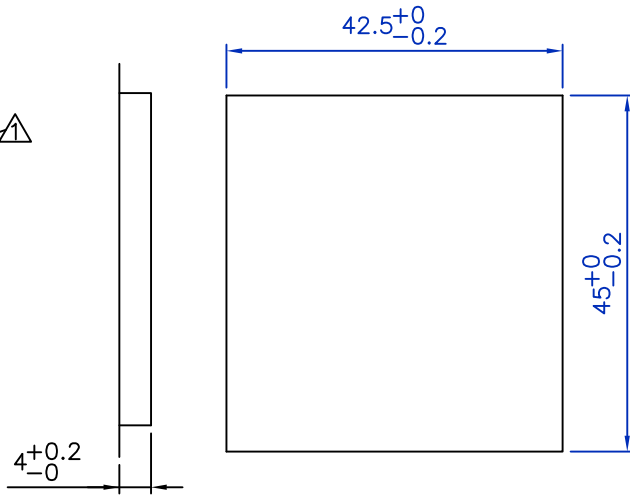
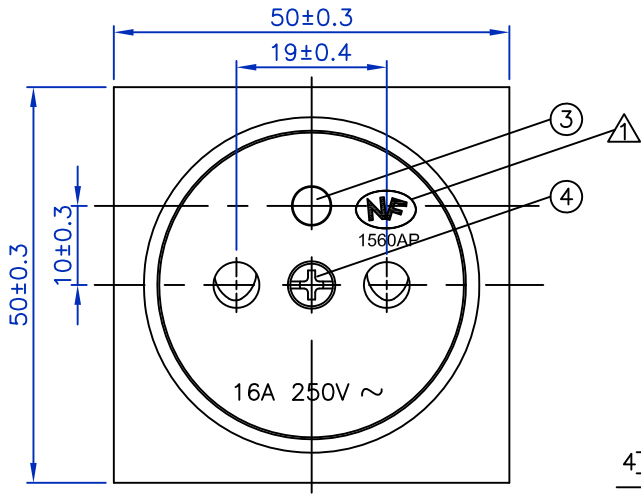


SWE-08

SCALE : 1:1

UNIT : mm



Rating:16A 250V AC  
Approvals:LCIE

PART No.	Cover Color	Body Color
SWE-08-D	White	Black
SWE-08-F	Black	Black

5			DIMENSIONAL TOLERANCES	
4	Screw M3.0*0.5m/m	1	GRADATION	TOLERANCE
3	Contact PIN Brass Strip $\phi=4.8\text{mm}$	1		
2	Body:NYLON	1	X	$\pm 0.4$
1	Cover:PC	1	X.X	$\pm 0.3$
APPROVED:	CHECK:	DRAWER: MAN	ORDER NO: SWE-08 (法式内鎖型)	X.XX
			DRAWING NO: 911198	ANGLE
				$\pm 1^\circ$