

Navigation Switches Series **SWNA4**



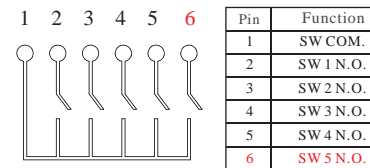
General Specifications

Current Rating :50mA
 Voltage Rating :12VDC
 Dielectric Withstanding Voltage :250VAC for 1 minute
 Contact Resistance :100m Ohm Max.(initial)
 Insulation Resistance :100M Ohm Min.
 Operating Force :200gf ± 50gf
 Total Travel :0.25mm ± 0.1mm
 Operating Life :100,000 cycles Min.
 Solder Specifications :260 deg. for 3 seconds
 Function :SP5T
 Operating Temperature :-10 deg.~+60 deg.

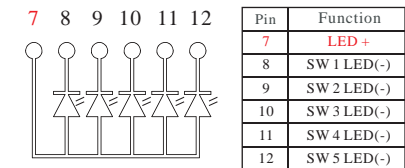
Materials

Cap :Polycarbonate (PC)
 Housing :Polyamide (PA)
 Stem :Polybutylene terephthalate (PBT)
 Base :Polyamide(PA)
 Terminal :Brass with silver plating
 Action Dome :SUS with gold plating
 Connector :PA , Brass with Tin plating

Contact Configuration

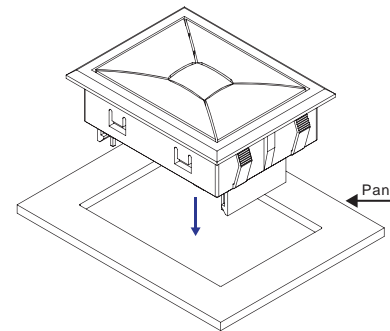


SW Configuration

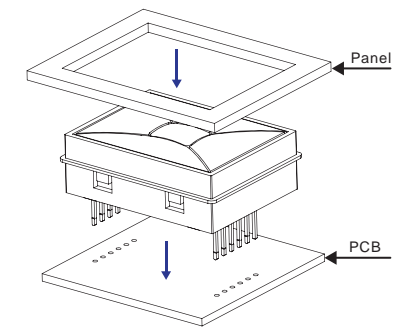


LED Configuration

Installation Notes



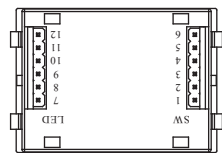
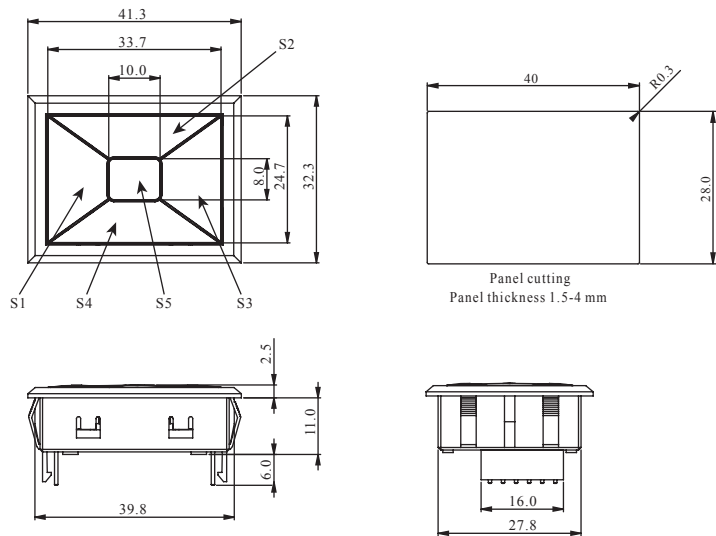
for SWNA4S



for SWNA4P

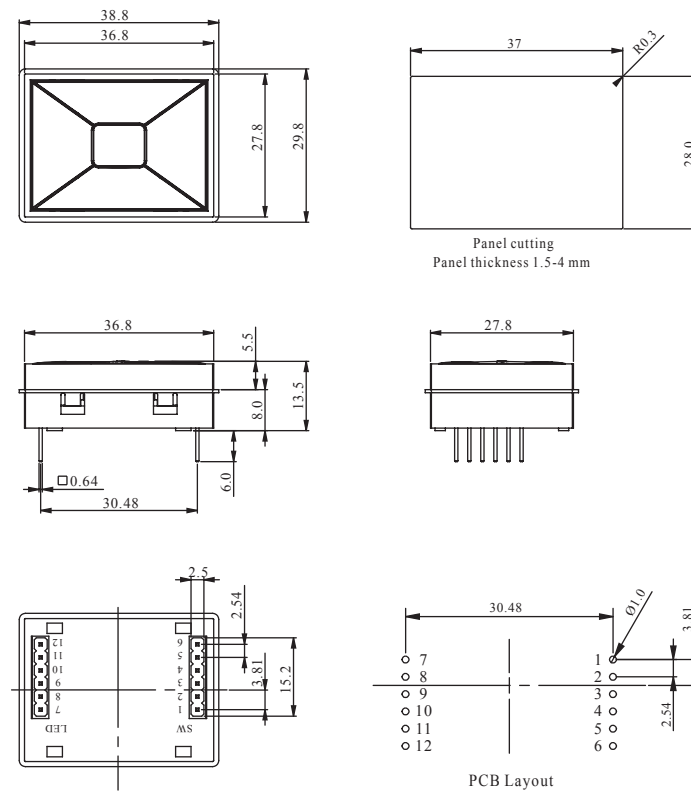
Navigation Switches Series SWNA4

Dimension / Panel Cutting of SWNA4S





The Connector for SWNA4 module similar JST RE-H(06)2TD Applicable
 Connector: Conductor pitch / 2.54mm Conductor width / ϕ 0.64mm

Dimension / Panel Cutting / PCB Layout SWNA4P



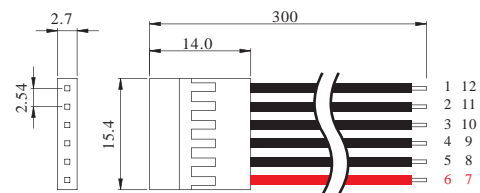
Navigation Switches Series **SWNA4**

How to order

Module		
Part No	SWNA4P1441	SWNA4S2551
Description	Red LED, White housing, White cap, Marking 1.	Yellow LED, Black housing, Black cap, Marking 1.

- ※ Color is subject to actual product.
- ※ We provide Marking service.

Option



Cable: YCW012