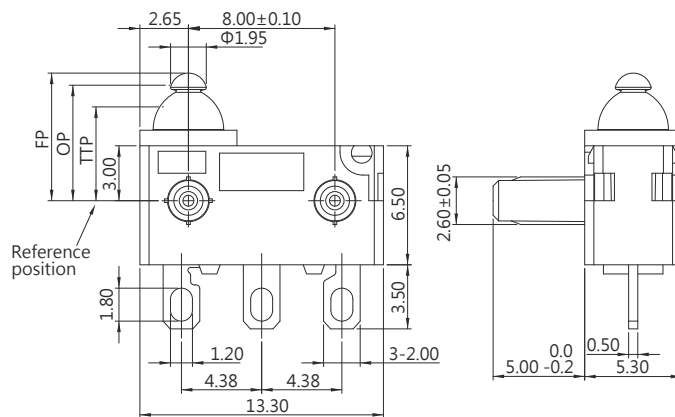


DIMENSIONS

Unless otherwise specified, a tolerance of ±0.4mm applies to all dimensions.



SDW2 SERIES

SPECIFICATIONS

Contact Resistance (initial)

Max. 100mΩ

(Measured by ohm meter-Open Voltage <1VDC, Driver current-100mA)

Insulation Resistance(at 250VDC/minute)

Min.100MΩ

Dielectric Strength

500VAC(50~ 60Hz)

Operating Temperature range

-40°C to 85°C (with no icing)

Vibration

10~55Hz, displacement 0.75 mm (p-p)

Electrical Service Life

0.1A~3A 12VDC- Min. 100,000 operations

0.1A~3A 125/250VAC- Min. 10,000 operations

3A 24VDC - Min. 50,000 operations

Electrical Operating Frequency

0.1A-120 operations per minute

3A-10~30 operations per minute

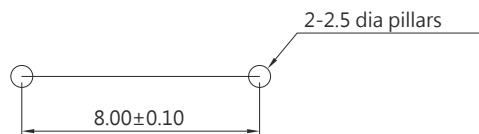
Mechanical Service Life

Min.1,000,000 operations

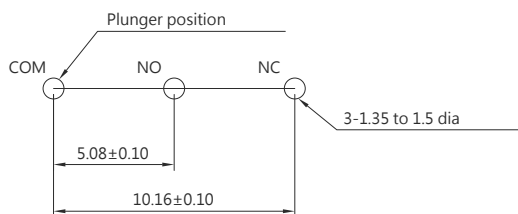
Mechanical Operating Frequency

120 operations per minute

PILLAR PITCH



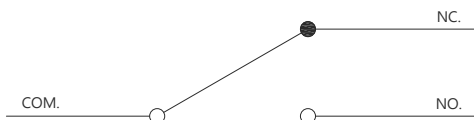
MOUNTING HOLES FOR PCB TERMINAL



APPLICATIONS

Automotive (Operation system, Engine area Interior)
Air conditioner, communication, Electric tooth brush, toys

CONTACT CONFIGURATION

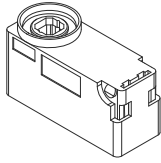


CERTIFICATE INFORMATION

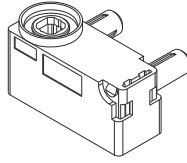
Model Name	cULus · ENEC15
SDW2-03S	0.1A/3A 12VDC (Normal temperature) Min. 100,000 operations 0.1A/3A 125/250VAC (Normal temperature) Min. 10,000 operations 3A 24VDC (Normal temperature) Min. 50,000 operations
SDW2-G3S	0.1A/3A 12VDC (Normal temperature) Min. 100,000 operations 0.1A/3A 125/250VAC (Normal temperature) Min. 10,000 operations 3A 24VDC (Normal temperature) Min. 50,000 operations

COVER TYPES (PILLAR & TRAVEL TYPES)

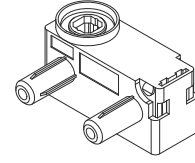
A TYPE



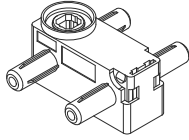
B TYPE



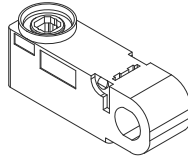
C TYPE



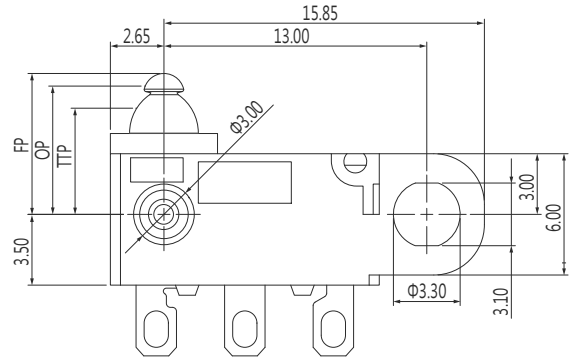
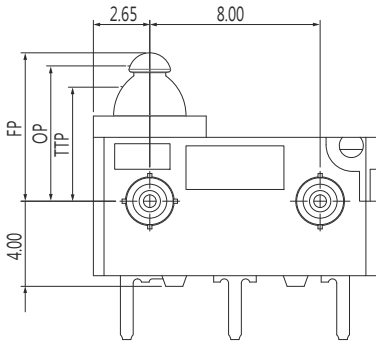
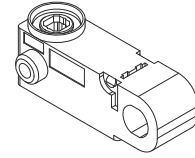
D TYPE



E TYPE



F TYPE



ORDERING INFORMATION

S D W 2 — 0 3

SERIES
PREFIX

CODE	RATING CURRENT
G3	0.1A 12VDC Min.100,000 operations
	3A 12VDC Min.100,000 operations
	3A 24VDC Min.50,000 operations
	0.1A 125/250VAC Min.10,000 operations
03	3A 125/250VAC Min.10,000 operations Contact Plated Gold Terminal Plated Silver
	0.1A 12VDC Min.100,000 operations
	3A 12VDC Min.100,000 operations
	3A 24VDC Min.50,000 operations
	0.1A 125/250VAC Min.10,000 operations
	3A 125/250VAC Min.10,000 operations Contact is Silver Terminal Plated Silver

S — 0 1

CODE	OPERATING FORCE
S	STANDARD

CODE	ACTUATOR TYPE
00	
01	
A01	

CODE	TERMINAL TYPE
A	
C	
D	
P	

CODE	CIRCUIT ARRANGEMENT
0	S.P.D.T
1	S.P.S.T.NO Only Terminal Type P
2	S.P.S.T.NC Only Terminal Type P

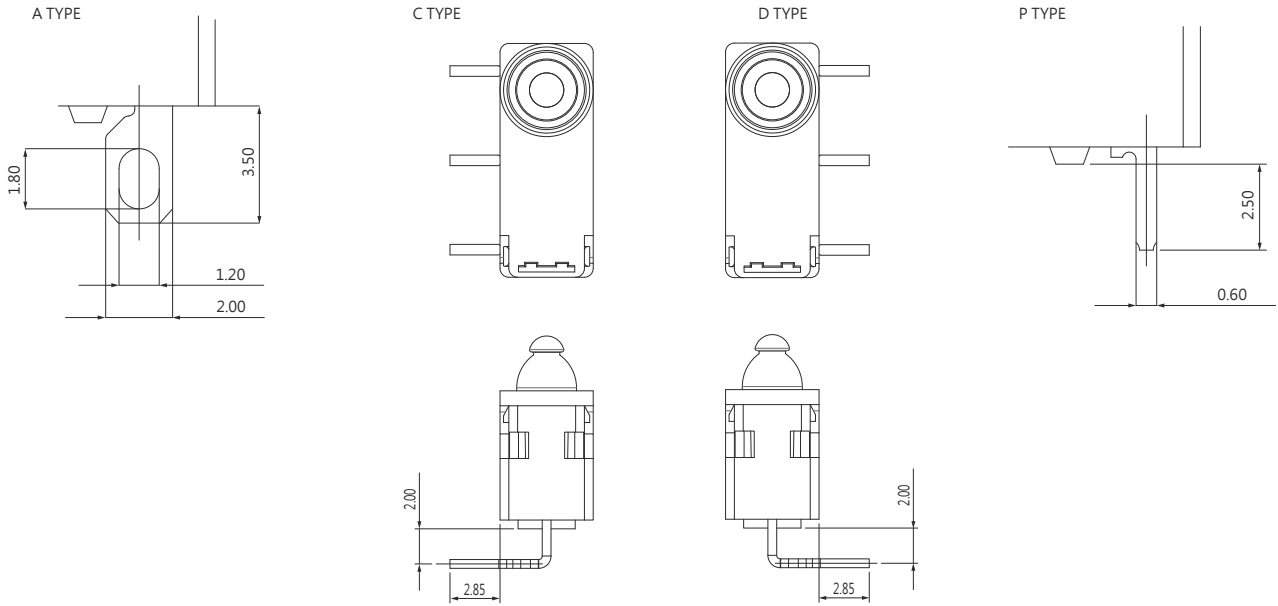
CODE	PILLAR TYPE
A	
B	
C	
D	
E	
F	

PILLAR TYPE — Z

ROHS
CODE

CODE	DIMENSIONS						
	L1	H	ΦA	ΦB	ΦC	ΦD	P
A	5.0	3.0	2.2	2.6	2.2	2.6	8.00
B	2.0	3.0	2.2	2.6	2.2	2.6	8.00
C	4.0	3.0	2.2	2.6	2.2	2.6	8.00
	0.7	3.0	2.5	無肋	2.5	無肋	8.00

TERMINAL TYPES (THE thickness of each terminal is 0.5mm)



OPERATING CHARACTERISTICS

SWITCH TYPE	PART SUFFIX	OF Max (gf)	OP (mm)	TTP Max (mm)	OT Min (mm)	MD Max (mm)	FP Max (mm)	RF Min (gf)
SDW2- □□ S-00A0-Z		S 95	10.4±0.2	9.1	1.1	0.25	11.2	10
			6.4±0.2	5.1			7.2	
SDW2- □□ S-01A0-Z		S 95	11.5±0.5	10	1.0	0.5	12.8	7
			7.5±0.5	6			8.8	
SDW2- □□ S-A01A0-Z		S 183	11.4±0.5	9.8	1.1	0.5	13.3	20
			7.4±0.5	5.8			9.3	