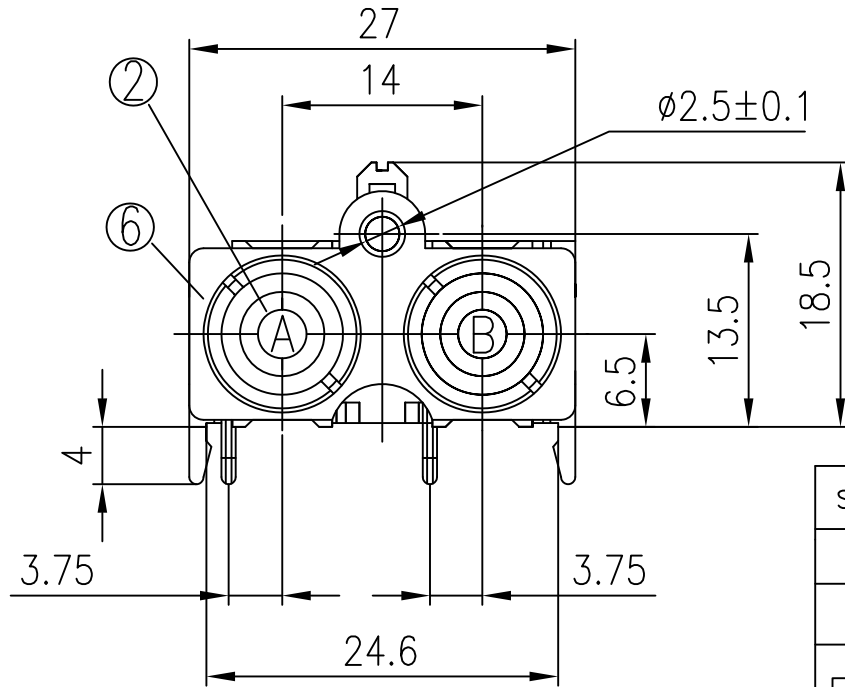
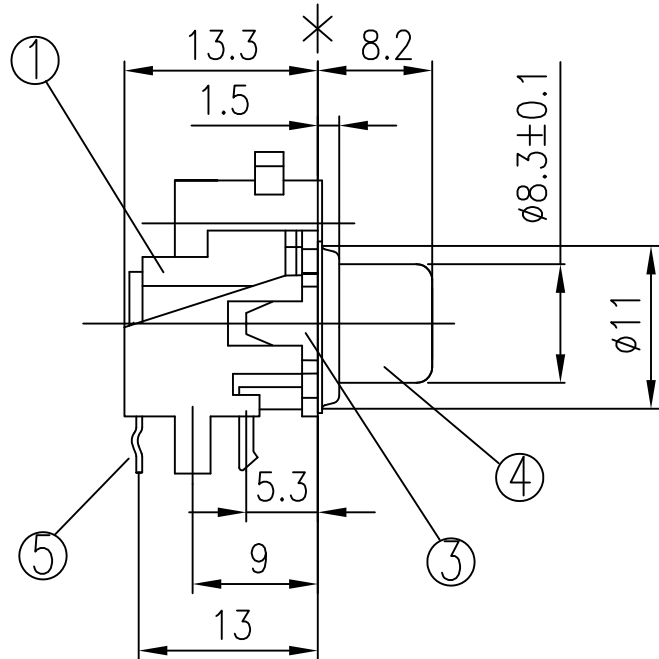
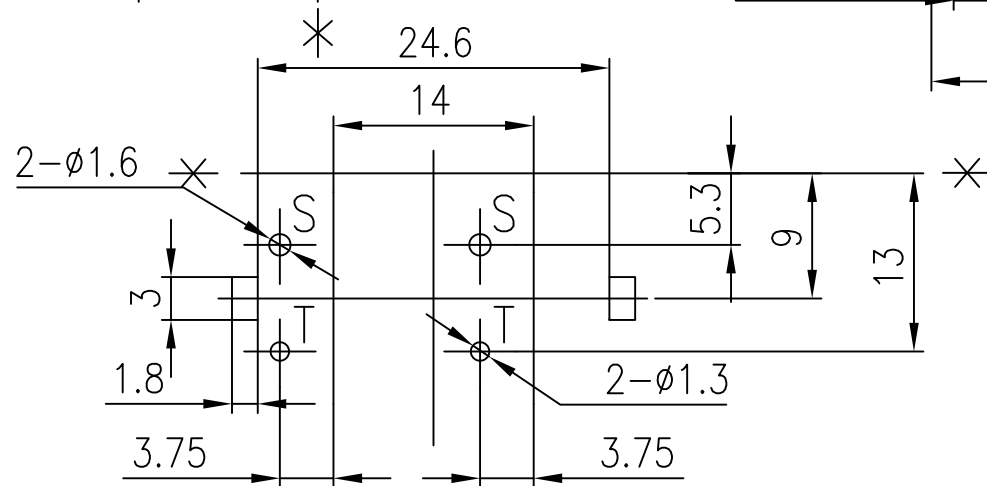


* RoHS COMPLIANT *

REVISIONS				
LTR	DESCRIPTION	DATE	REVISED	APPROVED



SRJ-252V1-06	A	B
WASHER COLOR	WHITE	RED
SCHEMATIC		



T:1.6 Dimensions of PC board holes
Tolerance : ±0.05(Printed-bottom view)

UNLESS OTHERWISE SPECIFIED, TOLERANCE ON DECIMAL:±0.3

LTR	PART NAME	QTY	MATERIAL	REMARK
6	SEALED PLATE	1	C2680 t=0.25	Cu/Sn PLATED
5	TERMINAL	2	C2680 t=0.40	Cu/Sn PLATED
4	OUTER CONTACT	2	C2680 t=0.30	Cu/Sn PLATED
3	COVER	1	ABS	UL-94HB(BLACK)
2	WASHER	2	PBT	UL-94V0
1	HOUSING	1	PBT	UL-94V0(BLACK)

DWN	LILY	DATE	2013.03.28	3RD ANGLE PROJECTION	NAME	PIN JACK
CHKD	ANDY	DATE	2013.03.28		CAT. NO.	RCA-252V1-06H
APVD	JON	DATE	2013.03.28		UNIT: mm	

SWEETA PRODUCTS CORPORATION

DWN.NO.
SRJ-252V1-06 001